

L003 SERIES

COMPACT, LOW-COST SWITCHES
IDEAL FOR HIGH VOLUME USE

DESCRIPTION

The L003 is a versatile, vertically-mounted switch designed for a wide range of OEM and special purpose level control applications. With a larger displacement than other sub-compact models, the L003 is ideal for shallow tanks. The switch can also be interchanged from normally-open to normally-closed operation in the field by simply inverting the float. A large selection of engineered plastic material options are available to perform in a variety of water-based, oil-based, low density and ultra pure liquid media. Materials include Polypropylene, PVC and Nylon/Buna equipped with a 1/8" NPT or 3/8" - 24 mount.

PRINCIPLE OF OPERATION

A hermetically-sealed reed switch is actuated by an internal magnet within the float. As the float rises and falls with the liquid level, the magnetic field passes the switch encapsulated within the stem and results in a switch state change.

KEY FEATURES

- Ideal for Shallow Tanks
- Single-Stage Vertically-Mounted
- Broad Media Capability
- Interchangeable NO or NC Operation By Float Inversion

ELECTRICAL

- Switch Ratings: SPST 50 VA (Standard), SPST 100 VA or SPDT 3VA

SPECIFICATIONS

*SG refers to the recommended minimum liquid specific gravity.

SERIES	MOUNT	STEM/FLOAT	SG*	TEMPERATURE	PRESSURE
L003	1/8" NPT	Solid Polypro	0.87	-40 to +150 °F (-40 to +65.6 °C)	150 PSIG (10.3 bar)
L003	3/8" - 24	Solid Polypro	0.87	-40 to +150 °F (-40 to +65.6 °C)	150 PSIG (10.3 bar)
L003	1/8" NPT	Hollow Polypro	0.66	-40 to +150 °F (-40 to +65.6 °C)	50 PSIG (3.4 bar)
L003	3/8" - 24	Hollow Polypro	0.66	-40 to +150 °F (-40 to +65.6 °C)	50 PSIG (3.4 bar)
L003	1/8" NPT	PVC/PVC	1.00	-40 to +150 °F (-40 to +65.6 °C)	50 PSIG (3.4 bar)
L003	3/8" - 24	PVC/PVC	1.00	-40 to +150 °F (-40 to +65.6 °C)	50 PSIG (3.4 bar)
L003	1/8" NPT	Nylon/Buna	0.63	-40 to +150 °F (-40 to +65.6 °C)	150 PSIG (10.3 bar)
L003	3/8" - 24	Nylon/Buna	0.63	-40 to +150 °F (-40 to +65.6 °C)	150 PSIG (10.3 bar)

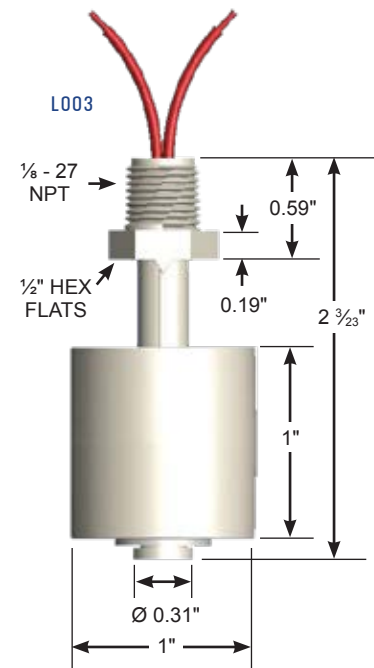
APPLICATIONS

- Food Processing Equipment
- Food Warmers
- Food Dispensing Systems
- Storage Tanks
- Fuel Dispensing Systems
- Humidity Control Equipment



L003

DIMENSIONS



L003

